

폭발의 위험성이 있는 공장 LED조명 소개

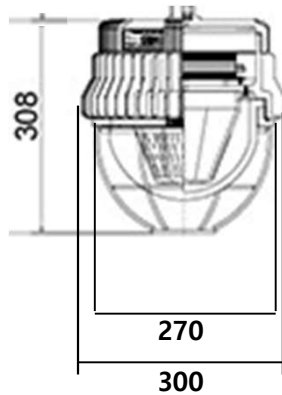
*Technology Innovations
Creation of New Business*



폭발의 위험성이 있는 공장 LED조명

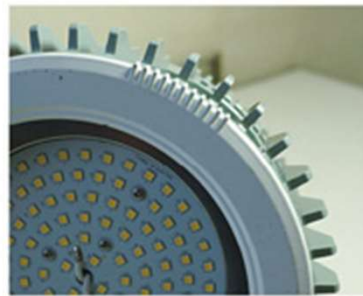
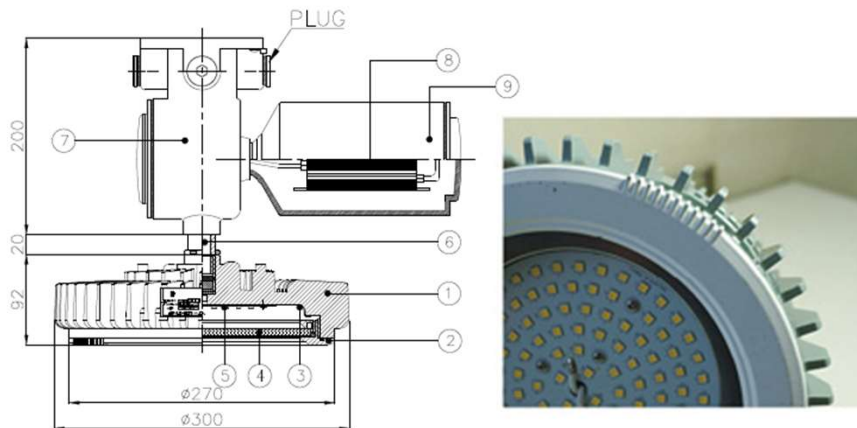
구 분	01. LED방폭등(Omin Type)	02. LED방폭등(Plat Type)	03. LED방폭등(Tube Type)
이미지			
소비전력	100W	100W	30W(15*2등용)
총 광 속	>11,000lm	>11,000lm	>4,000lm
사 이 즈	Ø300 * 308mm	Ø300 * 312mm	Ø1330 * 473mm
색 온 도	5700K	5700K	5700K
보증기간	3년	3년	3년
방폭등급	Ex D IIC T5 / IP66	Ex D IIC T6 / IP66	Ex D IIC T5 / IP66
Certification	17-GA2BO-0443X	13-GA2BO-0560X	13-GA2BO-0223
비 고	확산형	집중형	확산형

LED Lighting (Omin Type)



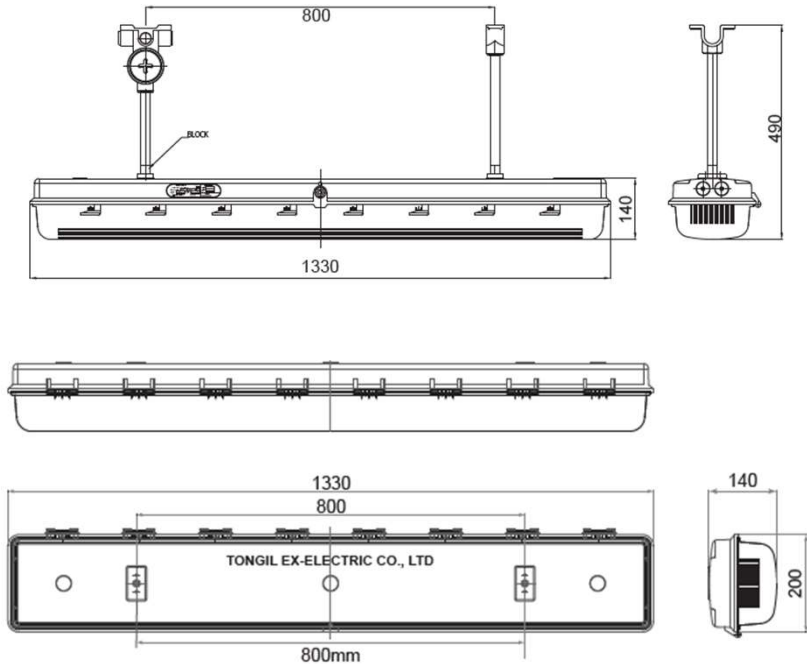
Power Consumption [W]	100W
Total Flux [lm]	>11,000lm
Efficiency [lm/W]	>110lm/W
Color Temp. [K]	5,700K
Input Voltage [Vac]	240Vac, 50/60hz
Power Factor (PF)	>0.9
CRI (Ra)	>80Ra
Operation Temp. [°C]	-20 ~ 55°C
Dimension	Ø300 * 308mm
Lifespan [hrs]	50,000 hrs
Frame Material	Die-Casting aluminum alloy
Beam Angle [°]	180°
Weight [Kg]	13Kg
Execution	Ex D IIC T5 / IP66
Certification	17-GA2BO-0443X

LED Lighting (Plat Type)



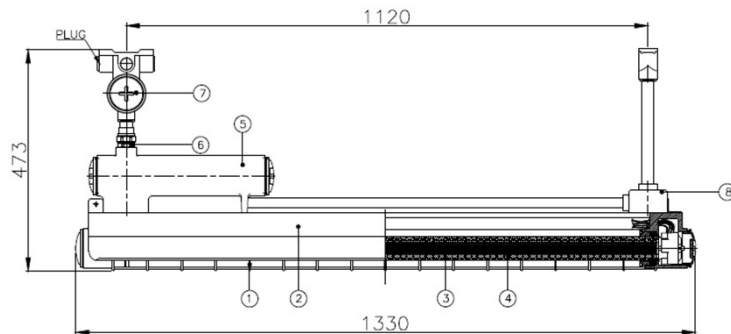
Power Consumption [W]	100W
Total Flux [lm]	>11,000lm
Efficiency [lm/W]	>110lm/W
Color Temp. [K]	5,700K
Input Voltage [Vac]	240Vac, 50/60hz
Power Factor (PF)	>0.9
CRI (Ra)	>80Ra
Operation Temp. [°C]	-20 ~ 55°C
Dimension	Ø300 * 312mm
Lifespan [hrs]	50,000 hrs
Frame Material	Die-Casting aluminum alloy
Beam Angle [°]	120°
Weight [Kg]	12Kg
Execution	Ex D IIC T6 / IP66
Certification	13-GA2BO-0560X

LED Lighting (Tube type)



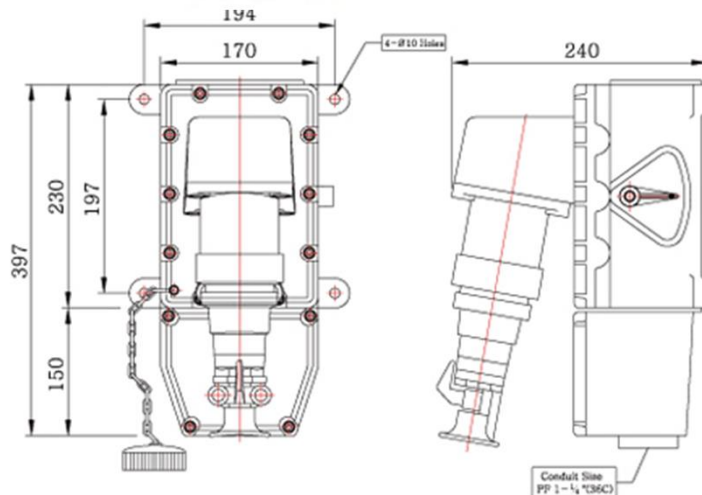
Power Consumption [W]	30W(15*2등용)
Total Flux [lm]	>4,000lm
Efficiency [lm/W]	>133lm/W
Color Temp. [K]	5,700K
Input Voltage [Vac]	220Vac, 50/60hz
Power Factor (PF)	>0.9
CRI (Ra)	>80Ra
Operation Temp. [°C]	-20 ~ 55°C
Dimension	Ø1330 * 200mm
Lifespan [hrs]	50,000 hrs
Frame Material	PC
Beam Angle [°]	120°
Weight [Kg]	9Kg
Execution	Ex nA II T6 / IP66
Type	Explosion-proof

LED Lighting (Tube type)



Power Consumption [W]	30W(15*2등용)
Total Flux [lm]	>4,000lm
Efficiency [lm/W]	>133lm/W
Color Temp. [K]	5,700K
Input Voltage [Vac]	220Vac, 50/60hz
Power Factor (PF)	>0.9
CRI (Ra)	>80Ra
Operation Temp. [°C]	-20 ~ 55°C
Dimension	Ø1330 * 473mm
Lifespan [hrs]	50,000 hrs
Frame Material	Die-Casting aluminum alloy
Beam Angle [°]	120°
Weight [Kg]	16.5Kg
Execution	Ex D IIC T5 / IP66
Certification	13-GA2BO-0223

LED Lighting (Receptacles)



Rated Voltage(V)	220Vac
Rated Current(A)	30A
Rated Interrupting capacity	5000A at AC 220V
Operation Temp. [°C]	-20 ~ 40°C
Dimension	194 * 397mm
Frame Material	Die-Casting aluminum alloy
Weight [Kg]	11Kg
Execution	Ex d IIB+H2 T6 / IP66
Certification	13-GA2BO-0008



감사합니다



02-6335-0083

tiumkorea@naver.com