

일반전구에서 LED전구 대체 상품

LED 소개자료

Technology Innovations
Creation of New Business



LED Lighting (전구형 10W)

대 체 가 능



- 백열전구 IL 100W
- 삼파장 EL 20W

6인치 이상 크기의 매입등이나 등기구의 램프



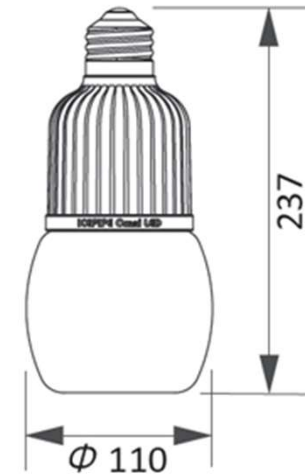
Power Consumption [W]	10W
Total Flux [lm]	>950lm
Efficiency [lm/W]	>95lm/W
Color Temp. [K]	5700K
Input Voltage [Vac]	220Vac, 50/60hz
Power Factor (PF)	>0.9
CRI (Ra)	>80Ra
Operation Temp. [°C]	-10 ~ 40°C
Dimension	Ø70 * 118mm
Lifespan [hrs]	50,000 hrs
Frame Material	PC
Beam Angle [°]	180°
Weight [Kg]	0.25kg
Indoor/Outdoor	Outdoor
Certification	KC / 고효율

LED Lighting (콘램프 60W)

대 체 가 능



- 메탈할라이드
- 150W



Weight : 410g

Power Consumption [W]	60W
Total Flux [lm]	>5580lm
Efficiency [lm/W]	>93lm/W
Color Temp. [K]	5700K
Input Voltage [Vac]	220Vac, 50/60hz
Power Factor (PF)	>0.9
CRI (Ra)	>80Ra
Operation Temp. [°C]	-10 ~ 40°C
Dimension	Ø110 * 237mm
Lifespan [hrs]	50,000 hrs
Frame Material	PC
Beam Angle [°]	180°
Weight [Kg]	0.41kg
Indoor/Outdoor	Outdoor
Certification	KC / 고효율

LED Lighting (센서등 15W)

대 체 가 능



- 백열전구 IL 100W
- 삼파장 EL 20W

Power Consumption [W]	15W
Total Flux [lm]	>1050lm
Efficiency [lm/W]	>70lm/W
Color Temp. [K]	6500K
Input Voltage [Vac]	220Vac, 50/60hz
Power Factor (PF)	>0.5
CRI (Ra)	>80Ra
Operation Temp. [°C]	-10 ~ 40°C
Dimension	Ø270 * 60mm
Lifespan [hrs]	50,000 hrs
Frame Material	PC
Beam Angle [°]	120°
Weight [Kg]	0.4kg
Indoor/Outdoor	Indoor
Certification	KC

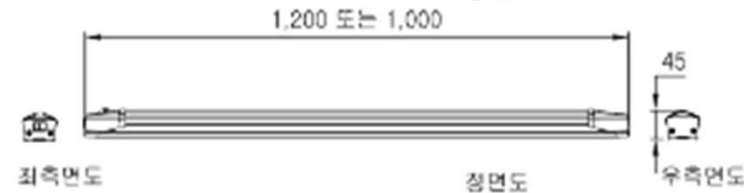
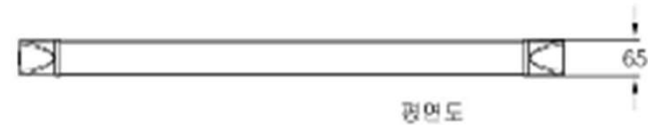
LED Lighting (직부형, 주차장등 18W)

대 체 가 능



•주차등 FL32W*1/40W*1

레이스웨이/펜던트형 가능



Power Consumption [W]	18W
Total Flux [lm]	>2200lm
Efficiency [lm/W]	>120lm/W
Color Temp. [K]	5700K
Input Voltage [Vac]	220Vac, 50/60hz
Power Factor (PF)	>0.92
CRI (Ra)	>80Ra
Operation Temp. [°C]	-20 ~ 50°C
Dimension	1200*65*45mm
Lifespan [hrs]	50,000 hrs
Frame Material	AL+PC
Beam Angle [°]	>200°
Weight [Kg]	0.9kg
Indoor/Outdoor	Indoor
Certification	KC / 고효율

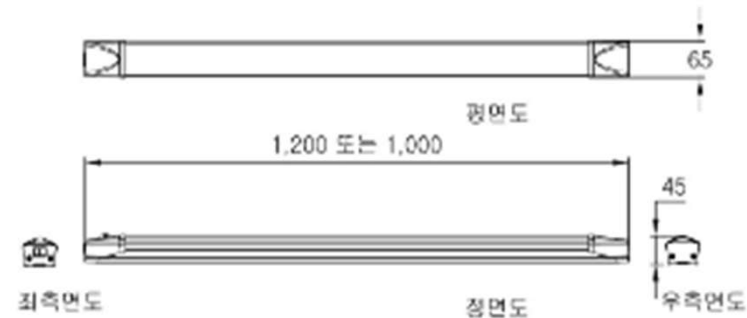
LED Lighting (직부형, 주차장등 35W)

대 체 가 능



•주차등 FL32W*2/40W*2

레이스웨이/펜던트형 가능



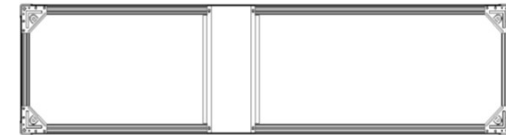
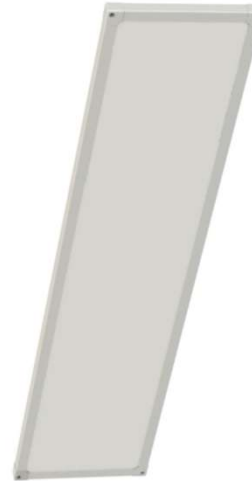
Power Consumption [W]	35W
Total Flux [lm]	>4200lm
Efficiency [lm/W]	>120lm/W
Color Temp. [K]	5700K
Input Voltage [Vac]	220Vac, 50/60hz
Power Factor (PF)	>0.92
CRI (Ra)	>80Ra
Operation Temp. [°C]	-20 ~ 50°C
Dimension	1200*65*45mm
Lifespan [hrs]	50,000 hrs
Frame Material	AL+PC
Beam Angle [°]	>200°
Weight [Kg]	0.9kg
Indoor/Outdoor	Indoor
Certification	KC / 고효율

LED Lighting (평판 M-bar 26W)

대 체 가 능



- 매입개방.파라보릭
- FL 40W*2 /32W*2



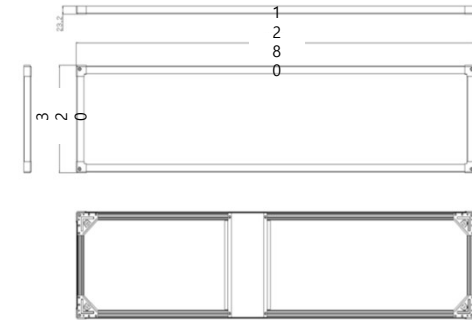
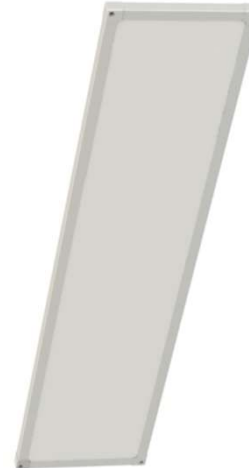
Power Consumption [W]	26
Total Flux [lm]	>4000lm
Efficiency [lm/W]	>154
Color Temp. [K]	5700
Input Voltage [Vac]	240Vac
Power Factor (PF)	>0.95
CRI (Ra)	>80
Operation Temp. [°C]	-10 ~ 40°C
Dimension	310*1270*23mm
Lifespan [hrs]	50000
Frame Material	AL (Powder Coating)
Beam Angle [°]	>110
Weight [Kg]	3.2
Protection Rate	Indoor

LED Lighting (평판 직부 45W)

대 체 가 능



- 매입개방.파라보릭
- FL 40W*2 /32W*2



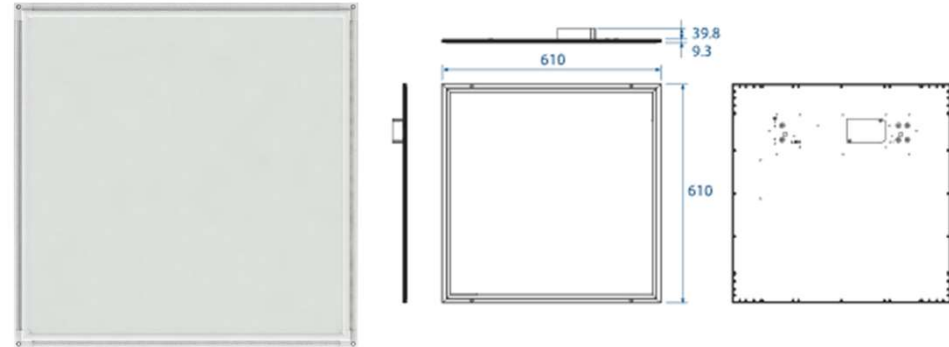
Power Consumption [W]	45
Total Flux [lm]	>4800lm
Efficiency [lm/W]	>154
Color Temp. [K]	5700
Input Voltage [Vac]	240Vac
Power Factor (PF)	>0.95
CRI (Ra)	>80
Operation Temp. [°C]	-10 ~ 40°C
Dimension	320*1280*23mm
Lifespan [hrs]	50000
Frame Material	AL (Powder Coating)
Beam Angle [°]	>110
Weight [Kg]	3.2
Protection Rate	Indoor

LED Lighting (평판 M-Bar 45W)

대 체 가 능



- 매입개방.파라보릭 등
- 사각형 등기구 대체가능
- FPL 55W*3
- FPL 36W*4



Power Consumption [W]	45
Total Flux [lm]	>4800lm
Efficiency [lm/W]	>111
Color Temp. [K]	5700
Input Voltage [Vac]	100 ~220Vac (50~60Hz)
Power Factor (PF)	>0.95
CRI (Ra)	>80
Operation Temp. [°C]	-10 ~ 40°C
Dimension	610 * 610 * H:23mm
Lifespan [hrs]	50,000
Frame Material	AL (Powder Coating)
Beam Angle [°]	>110
Weight [Kg]	3.2
Protection Rate	Indoor

LED Lighting (직관등 15W)

대 체 가 능



•주차등 FL32W*1/40W*1

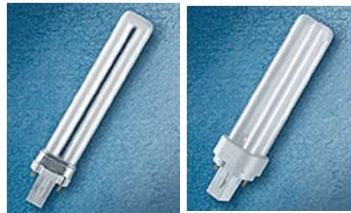
램프+SMPS 교체 가능(기존 등기구 사용)



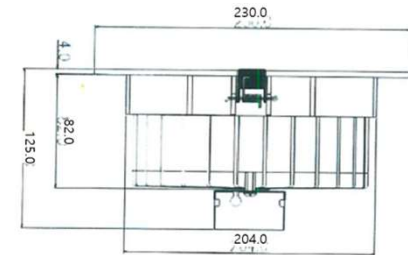
Power Consumption	15W
Light Output (lm)	2,300lm
Efficacy(lm/w)	>153lm/w
Color Temperature	5,700K
Input Voltage (Vac)	220Vac (60Hz)
Power Factor (Pf)	>0.9
Color Rendering Index (Ra)	>80 Ra
Beam Angle	120°
Material	Al + PC
SMPS	External
Operating temperature	-20 °C ~ 50 °C
Indoor/Outdoor/IP	Indoor
Dimension	G13, 1200mm

LED Lighting (다운라이트 8인치 30W)

대 체 가 능



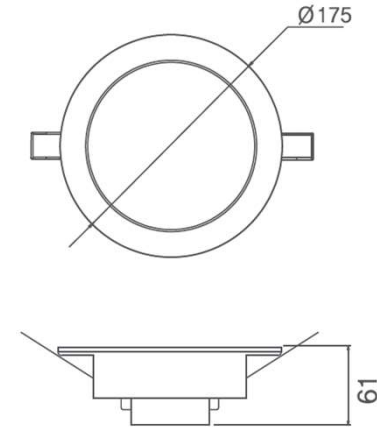
- 원통D/L
- FPX 13W*2, 23W*2
- CDM 150W



Power Consumption [W]	30W
Total Flux [lm]	>2,700lm
Efficiency [lm/W]	>90lm/W
Color Temp. [K]	5,700K
Input Voltage [Vac]	220Vac, 60hz
Power Factor (PF)	>0.9
CRI (Ra)	>80Ra
Operation Temp. [°C]	-10 ~ 40°C
Dimension	Ø230 * 125mm
Lifespan [hrs]	50,000 hrs
Frame Material	AL+PP
Beam Angle [°]	60° / 120°
Weight [Kg]	0.9Kg
Indoor/Outdoor	Indoor
Certification	KS / 고효율

LED Lighting (다운라이트 6인치 10W)

대 체 가 능



- 백열전구 IL 100W
- 삼파장 EL 20W

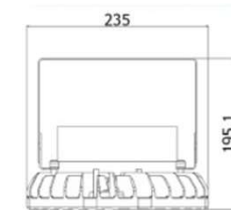
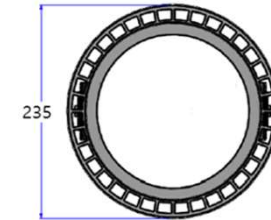
Power Consumption [W]	10
Total Flux [lm]	>1050lm
Efficiency [lm/W]	>99
Color Temp. [K]	5700
Input Voltage [Vac]	100 ~ 220Vac
Power Factor (PF)	>0.95
CRI (Ra)	>80
Operation Temp. [°C]	-10 ~ 40°C
Dimension	Φ175*61mm
Frame Material	AL (Powder Coating)
Beam Angle [°]	>120
Weight [Kg]	0.275
Protection Rate	Indoor

LED Lighting (투광등 100W)

대 체 가 능



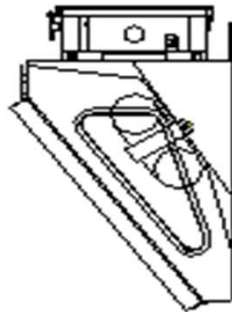
- 메탈할라이드
- 250W



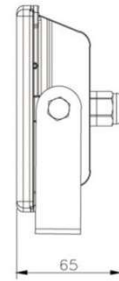
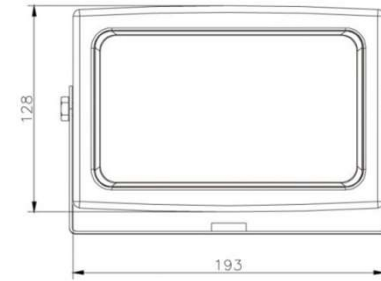
Power Consumption [W]	100W
Total Flux [lm]	>12,600lm
Efficiency [lm/W]	>130lm/W
Color Temp. [K]	5,700K
Input Voltage [Vac]	220Vac, 50/60hz
Power Factor (PF)	>0.9
CRI (Ra)	>80Ra
Operation Temp. [°C]	-40 ~ 55°C
Dimension	Ø235 * 195mm
Lifespan [hrs]	50,000 hrs
Frame Material	Steel, AL, PC
Beam Angle [°]	125°
Weight [Kg]	2.3Kg
Indoor/Outdoor	Outdoor
Certification	KC / 고효율

LED Lighting (사각 투광등 50W)

대 체 가 능



- 할로겐 HQI, CDM
- 150W



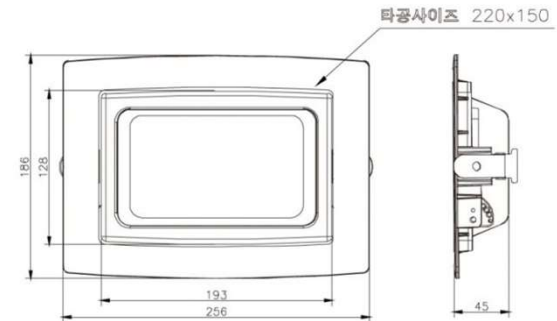
Power Consumption	50W
Light Output (lm)	5,500lm
Efficacy(lm/w)	>110lm/w
Color Temperature	5,700K
Input Voltage (Vac)	220Vac (60Hz)
Power Factor (Pf)	>0.9
Color Rendering Index (Ra)	>80 Ra
Beam Angle	115°
Weight	1 Kg
Material	Anodized Al
SMPS	External
Operating temperature	-20 °C ~ 50 °C
Dimension	193*128mm
Indoor/Outdoor/IP	

LED Lighting (매입사각투광등 50W)

대 체 가 능



- 할로겐 HQI, CDM
- 150W



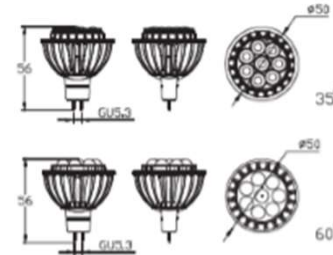
Power Consumption	50W
Light Output (lm)	5,500lm
Efficacy(lm/w)	>110lm/w
Color Temperature	5,700K
Input Voltage (Vac)	220Vac (60Hz)
Power Factor (Pf)	>0.9
Color Rendering Index (Ra)	>80 Ra
Beam Angle	115°
Weight	1 Kg
Material	Anodized Al
SMPS	External
Operating temperature	-20 °C ~ 50 °C
Dimension	193*128mm
Indoor/Outdoor/IP	

LED Lighting (MR16 4.3W)

대 체 가 능



- 할로겐 MR16
- 20/50W



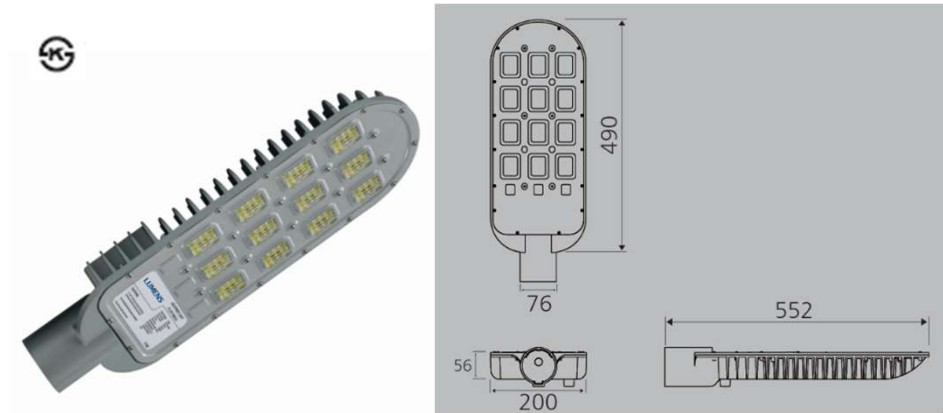
Power Consumption	4.3W
Light Output (lm)	400lm
Efficacy(lm/w)	> 80lm/w
Color Temperature	3,000K / 5,700K
Input Voltage (Vac)	220Vac (50/60Hz)
Power Factor (Pf)	>0.90
CRI (Ra)	>80 Ra
Beam Angle	60°
Average Life (hours)	50,000 hrs
Material	Al + PC
Weight	0.2 Kg
Operating temperature	-20 °C ~ 50 °C
Indoor/Outdoor/IP	Indoor / IP65
Manufacturer Warranty	30,000 hrs
Dimension	56*50 mm

LED Lighting (옥외 보안등 60W)

대 체 가 능



- 메탈할라이드
- 150W



Power Consumption [W]	60W
Total Flux [lm]	6,500lm
Efficiency [lm/W]	110lm/W
Color Temp. [K]	5700K
Input Voltage [Vac]	70~350 (50 / 60Hz)
Power Factor (PF)	>0.9
CRI (Ra)	75Ra
Operation Temp. [°C]	-25~50°C
Dimension	552 * 200 * 52mm
Lifespan [hrs]	50,000 hrs
Frame Material	PC, AL
Beam Angle [°]	177°
Weight [Kg]	4.5
Indoor/Outdoor	Outdoor
Certification	KS

LED Lighting (Candle 5W)

대 체 가 능



- 촛불 램프
- 60W



Power Consumption	5W
Light Output (lm)	350lm
Efficacy(lm/w)	> 70 lm/w
Color Temperature	3,000K / 5,700K
Input Voltage (Vac)	220Vac (50/60Hz)
Power Factor (Pf)	>0.90
CRI (Ra)	>80 Ra
Beam Angle	120°
Average Life (hours)	50,000 hrs
Material	Al + PC
Weight	0.1 Kg
Operating temperature	-20 °C ~ 50 °C
Indoor/Outdoor/IP	Indoor / IP20
Manufacturer Warranty	30,000 hrs

LED Lighting (PAR 38 25W)

대 체 가 능



- 할로겐PAR38
- 90W



Power Consumption	25W
Light Output (lm)	1,480lm
Efficacy(lm/w)	> 60 lm/w
Color Temperature	3,000K / 5,700K
Input Voltage (Vac)	220Vac (50/60Hz)
Power Factor (Pf)	>0.90
CRI (Ra)	>80 Ra
Beam Angle	120°
Average Life (hours)	50,000 hrs
Material	Al + PC
Weight	0.3 Kg
Operating temperature	-20 °C ~ 50 °C
Indoor/Outdoor/IP	Indoor
Manufacturer Warranty	30,000 hrs
Dimension	116*133 mm



감사합니다



02-6335-0083

tiumkorea@naver.com